

Masport[®] Heating

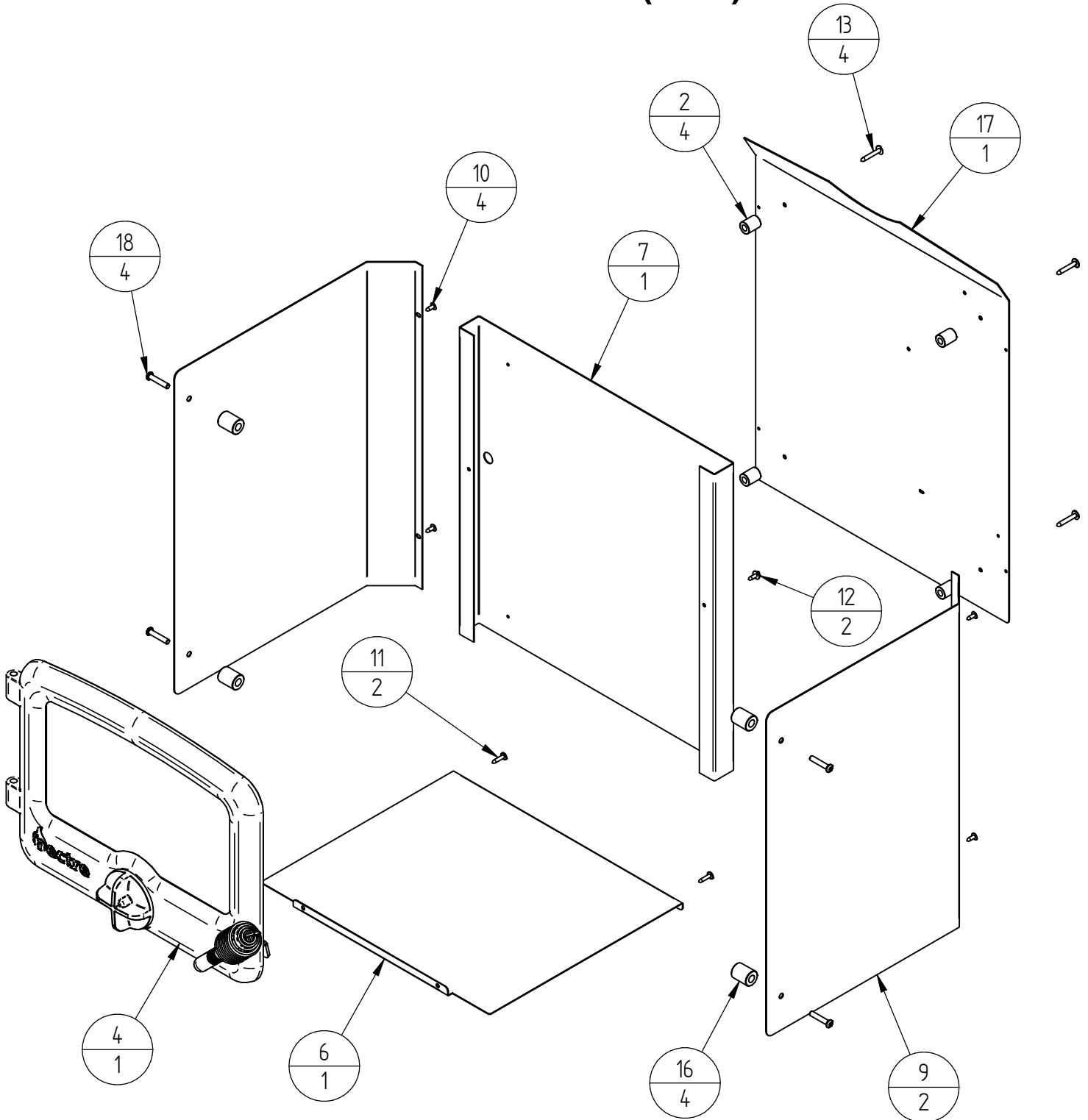
FREESTANDING WOOD FIRES

N15 SW LEG - NZ (RURAL)

Item No.	MARKET	FUEL TYPE	FINISHING	YEAR	FAN
970903 (LEG)	NZ (RURAL)	SOFTWOOD	METALLIC BLACK VHT PAINT	MAR-2019	N/A



PANELS AND DOOR (LEG)

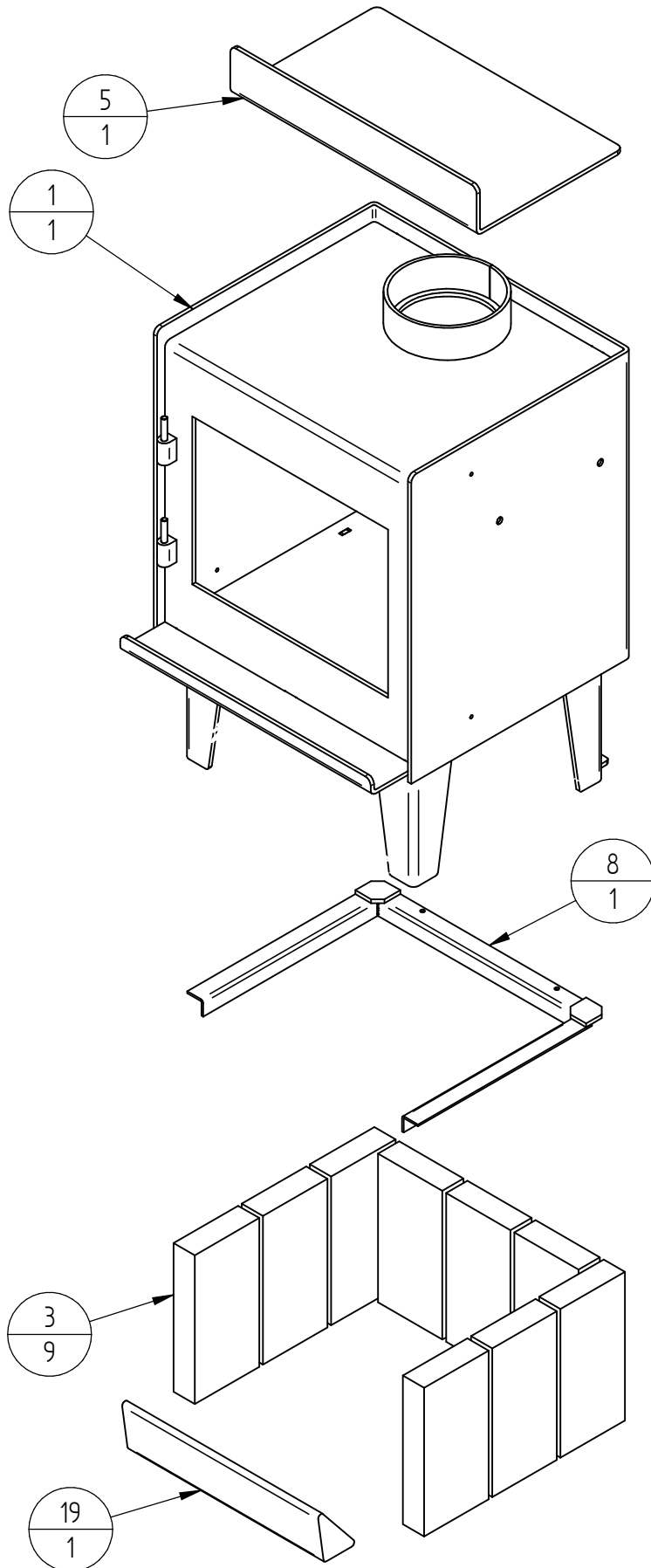


When ordering PLEASE QUOTE PART ID, MODEL Number & DESCRIPTIONS, NOT ITEM Number
determining left hand side from viewing position

Item Number	File Name	970903 (Model)	Title	Quantity
2	MET00129FM		FIREBOX BUSH FERROMOLY	4
4	970002		NECTRE SMALL DOOR ASSEMBLY	1
6	970033	V02	N15SW BOTTOM HEAT SHIELD	1
7	970035	V02	N15SW BACK PANEL SUPPORT	1
9	970052	V02	N15SW SIDE HEAT SHIELD RH	2
10	521645		SCREW; S/T 8GX1/2" MUSH FLANGE POZI BLK	4
11	521625		SCREW; S/T 8GX3/4" MUSH FLANGE POZI BLK	2
12	521643		SCREW; S/T 8GX1/2" HEX POZI BLK	2
13	521609		SCREW; S/T 10GX1-1/4" MUSH FLANGE POZI BLK	4
16	HBA00033FM		HBA DOOR BOSS FERROMOLY	4
17	970034	V02	N15SW BACK PANEL	1
18	521095		SCREW; M6X30 BUTTON SOCKET BLACK	4

When ordering PLEASE QUOTE PART ID, MODEL Number & DESCRIPTIONS, NOT ITEM Number
determining left hand side from viewing position

BAFFLE, BRICKS AND FIREBOX

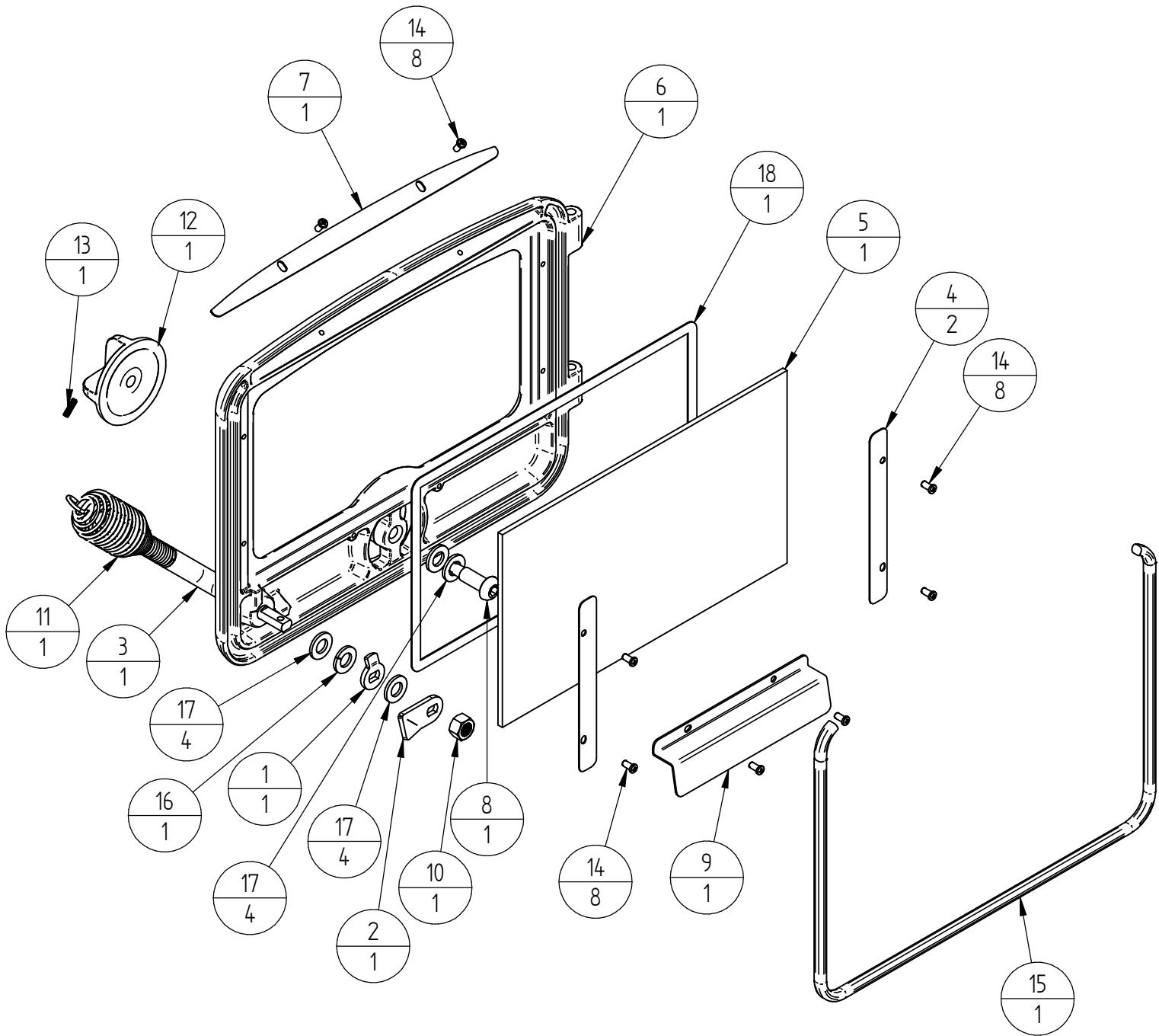


When ordering PLEASE QUOTE PART ID, MODEL Number & DESCRIPTIONS, NOT ITEM Number
determining left hand side from viewing position

Item Number	File Name	970903 (Model)	Title	Quantity
1	970001		N15SW FIRE BOX ASSEMBLY	1
3	570036		NECTRE FIRE BRICK 35% - 230 x 115 x 38	9
5	970004		N15SW BAFFLE PLATE	1
8	970003	V02	N15SW BRICK SUPPORT ASSY	1
19	570037		NECTRE BRICK 335 LG	1

When ordering PLEASE QUOTE PART ID, MODEL Number & DESCRIPTIONS, NOT ITEM Number
determining left hand side from viewing position

DOOR ASSEMBLY - P/No. 970002



When ordering PLEASE QUOTE PART ID, MODEL Number & DESCRIPTIONS, NOT ITEM Number
determining left hand side from viewing position

BOM - DOOR ASSEMBLY P/No. 970002

Item Number	File Name	970903 (Model)	Title	Quantity
1	970071		N15SW DOOR LATCH STOP	1
2	970072		N15SW DOOR LATCH	1
3	570031		N15 DOOR HANDLE ROD	1
4	970070		N05SW DOOR GLASS RETAINER	2
5	570030		N15SW DOOR GLASS	1
6	570023		N15 DOOR SMALL CASTING	1
7	970075		N15SW DOOR SMALL AIR STRIP	1
8	570032		N15 DOOR SPINDLE THREAD	1
9	970026		N15SW DOOR AIR DEFLECTOR	1
10	522706		HX HD NUT M12 SS	1
11	570025		NECTRE DOOR HANDLE N15	1
12	570024		N15 DOOR SMALL SPINDLE	1
13	521715		SCREW; GRUB M4X16 ALLEN BLK	1
14	521807		SCREW; S/T M5X10 POZI PAN BLK	8
15	C13MMDR		DOOR ROPE 13MM X 50m PG117 (MTR)	1.05 MTRS
16	523109		SPRING WASHER M12 ST/ST	1
17	523043		WASHER; HEAVY DUTY M12X24X2.5 SS304	4
18	C10MMGT..		GLASS FIBRE TAPE 10x3x50m ROLL (MTR)	1.05 MTRS

When ordering PLEASE QUOTE PART ID, MODEL Number & DESCRIPTIONS, NOT ITEM Number
determining left hand side from viewing position

NOT ILLUSTRATED					
Item	Part ID	Model(s)		Descriptions	Qty
		970901	970903		
1	593286	-	-	OWNER MANUAL WOODFIRES 2010	1
2	593287	-	-	INSTALL MANUAL WOODFIRES 2010	1
3	570046	-	-	N15SW NZ RURAL DATA SHEET	1
4	570049	-	-	N15 SW BRICK LAYOUT	1
5	951515	-	-	CEILING PLATE 150MM 345X345 S/S	1

SURFACE FINISH CODES FOR PANELS					
VHT PAINT(Very High Temp)			POWDER COAT		
V02	P-000022	METALLIC BLACK	P02	MATT BLACK	
			P08	MANNEX BLACK	

When ordering PLEASE QUOTE PART ID, MODEL Number & DESCRIPTIONS, NOT ITEM Number
determining left hand side from viewing position